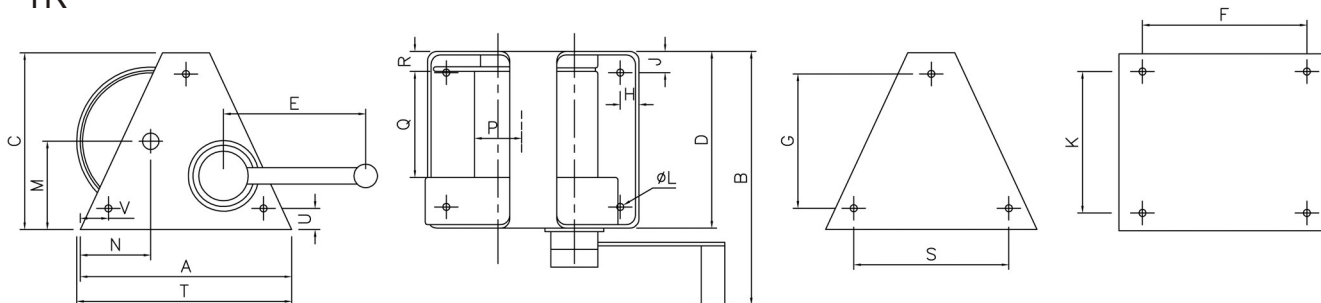


## MANUAL SPUR GEAR WINCH - FEATURES AND DIMENSIONS

Manual Hand Winch: Spur Gear								
Model	WLL kg	Speed	Wire Rope			Effort on handle kg	Lift per turn of handle mm	Weight kg
			ø mm	maximum capacity (kg)	number of layers			
TR-150	150	1	4	22	6	15	185	6.5
TR-300	300	1	5	40	6	10	32.5	15.5
TR-500	500	1	6.8	20	4	13	33	16
TR-1000	1000	1	9	35	4	12	16	44.5
TR-2000	2000	1	13	30	3	13	9	80

Manual Spur Gear Winch - Dimensions																						
WLL kg	A	B	C	D	E	F	G	H	J	K	ØL	M	N	ØP	Q	R	S	T	U	V	W	X
150	180	325	150	150	340	154	114	13	18	114	7Ø 9	75	90	55	67	43	132	-	18	24	75	90
300	240	385	200	200	240	200	155	20	28	144	7Ø 13	96	84	75	107	25	184	250	23	28	54	75
500	240	385	200	200	240	200	155	20	28	144	7Ø 13	96	84	75	107	25	184	250	23	28	54	75
1000	412	485	300	300	340	370	-	21	32	236	4Ø 17	145	130	101	176	35	-	422	-	-	60	108
2000	500	585	325	405	340	440	-	30	40	325	4Ø 21	155	145	250	250	35	-	510	-	-	63	108

TR



The Wharf,  
Bugbrooke,  
Northamptonshire,  
NN7 3QB, UK

Tel: +44 (0)1604 830083  
Fax: +44 (0)1604 831144  
Email: [info@unusual.co.uk](mailto:info@unusual.co.uk)  
Web: [www.unusual.co.uk](http://www.unusual.co.uk)

