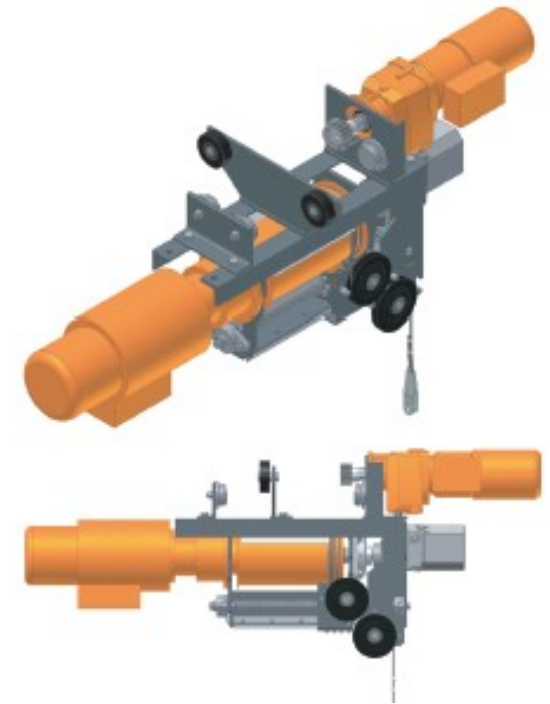


MOVABLE POINT HOIST

Speed (m/s)	0.8		1.2	
Load (kg)	150	250	150	250
Engine				
Type	asynchronous			
Power (kW)	1.5	2.2	2.2	3
Voltage (V)	230/400 V 50Hz			
Reducer	Cone gear reducer			
Type	Helical bevel gear			
Brake				
Type TR2-SIL3	BGV-D8+ / BGV-C1 /SIL3 – theatre version – double silent pressure brake. Activates on power out.			
Limit Switch hoisting				
Type	Cam switch on axle			
Number of contacts	4 x NC of 8 x NC – dependent on application			
Limit Switch travel				
Type	Spring pressure switch as collision protection			
Steel cables				
Type	19 x 7 – with steel core – certified			



OPTIONS

- Incremental encoder for speed regulation
- Absolute encoder for position determination
- Monitoring of the engine temperature
- Slack cable detection
- Overload detection

The Wharf,
Bugbrooke,
Northamptonshire,
NN7 3QB, UK

Tel: +44 (0)1604 830083
Fax: +44 (0)1604 831144
Email: info@unusual.co.uk
Web: www.unusual.co.uk

